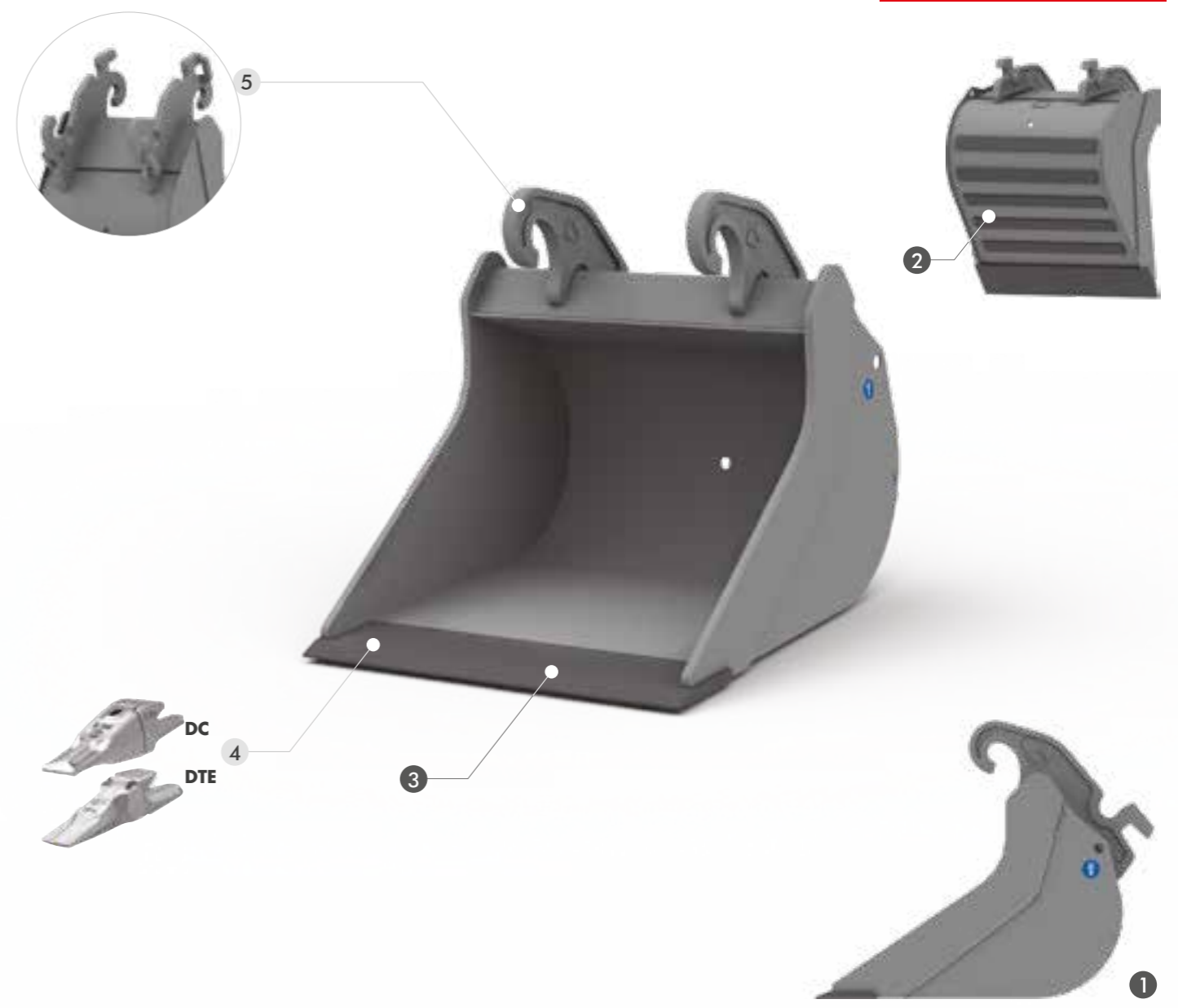




HB400



STANDARD TECHNICAL FEATURES

- 1 ELONGATED PROFILE**
- 2 REINFORCING STRIPS**
THE HORIZONTAL REINFORCING STRIPS ON THE BUCKET'S REAR AND BOTTOM PROTECT THE BUCKET FROM WEAR AND INCREASE ITS RESISTANCE.
- 3 HB400 BLADE**

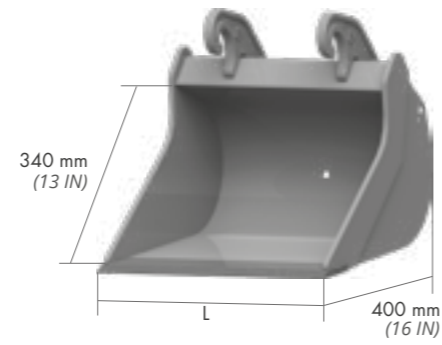
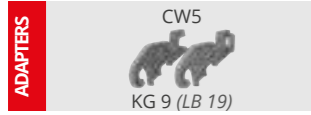
OPTIONAL

- 4 DC TEETH OR DTE TEETH**
- 5 CW REVERSIBLE VERSION**
THIS ADAPTER MAKES THE BUCKET REVERSIBLE.

ITS ELONGATED PROFILE AVOIDS THAT THE GROUND STICKS TO THE BUCKET'S SIDE WALLS AND SIMPLIFIES THE DISCHARGE OF LOAMY AND WET MATERIALS. IT IS EQUIPPED WITH HB400 BLADE.

MOD.	SCN35	SCN41	SCN52	SCN60	SCN66	SCN75	SCN85
Tons (lb)	0,6 - 1,2 (1323 - 2646)	1,2 - 1,8 (2646 - 3968)	1,8 - 2,5 (3968 - 5512)	2,5 - 4,0 (5512 - 8818)	4,0 - 6,0 (8818 - 13228)	6,0 - 7,5 (13228 - 16535)	7,5 - 12,0 (16535 - 26455)

SCN35 MACHINE WEIGHT 0,6 - 1,2 t (1323 - 2646 lb)

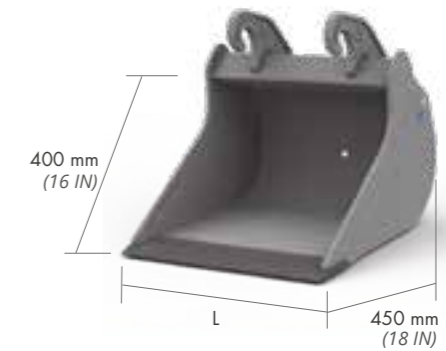


L mm (in)	WEIGHT Kg* (lb*)	CAP. SAE l (gal)	
300 (12)	19 (42)	21 (5,5)	AF
300 (12)	19 (42)	21 (5,5)	CW
400 (16)	23 (51)	31 (8,2)	AF
400 (16)	23 (51)	31 (8,2)	CW
500 (20)	28 (62)	47 (12,4)	AF
500 (20)	28 (62)	47 (12,4)	CW

OPTIONAL

4	4	5
DC teeth	DTE teeth	CW reversible version

SCN41 MACHINE WEIGHT 1,2 - 1,8 t (2646 - 3968 lb)

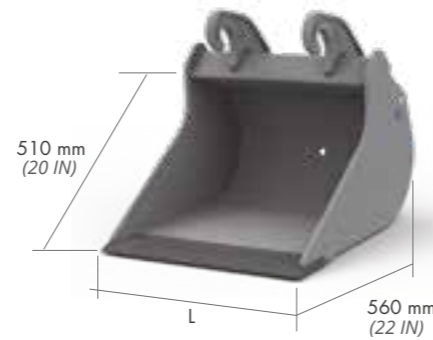
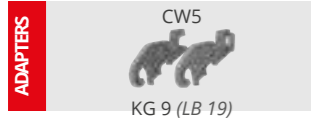


L mm (in)	WEIGHT Kg* (lb*)	CAP. SAE l (gal)	
300 (12)	22 (48)	26 (6,9)	AF
300 (12)	22 (48)	26 (6,9)	CW
400 (16)	27 (59)	38 (10,0)	AF
400 (16)	27 (59)	38 (10,0)	CW
500 (20)	32 (70)	52 (13,7)	AF
500 (20)	32 (70)	52 (13,7)	CW
600 (24)	37 (82)	75 (19,8)	AF
600 (24)	37 (82)	75 (19,8)	CW

OPTIONAL

4	4	5
DC teeth	DTE teeth	CW reversible version

SCN52 MACHINE WEIGHT 1,8 - 2,5 t (3968 - 5512 lb)

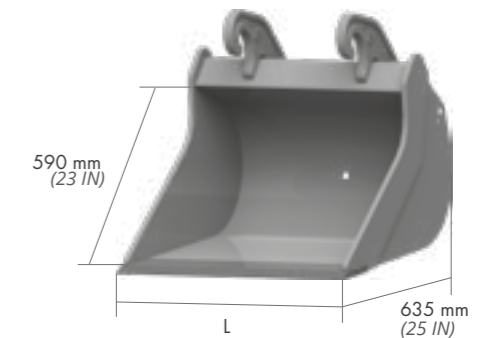


L mm (in)	WEIGHT Kg* (lb*)	CAP. SAE l (gal)	
300 (12)	32 (71)	34 (9,0)	AF
300 (12)	32 (71)	34 (9,0)	CW
400 (16)	40 (88)	51 (13,5)	AF
400 (16)	40 (88)	51 (13,5)	CW
500 (20)	47 (104)	69 (18,2)	AF
500 (20)	47 (104)	69 (18,2)	CW
600 (24)	54 (119)	87 (23,0)	AF
600 (24)	54 (119)	87 (23,0)	CW

OPTIONAL

4	4	5
DC teeth	DTE teeth	CW reversible version

SCN60 MACHINE WEIGHT 2,5 - 4,0 t (5512 - 8818 lb)



L mm (in)	WEIGHT Kg* (lb*)	CAP. SAE l (gal)	
300 (12)	41 (90)	121 (12,2)	AF
300 (12)	41 (90)	121 (12,2)	CW
400 (16)	49 (108)	69 (18,2)	AF
400 (16)	49 (108)	69 (18,2)	CW
500 (20)	57 (126)	93 (24,6)	AF
500 (20)	57 (126)	93 (24,6)	CW
600 (24)	65 (143)	118 (31,2)	AF
600 (24)	65 (143)	118 (31,2)	CW

OPTIONAL

4	4	5
DC teeth	DTE teeth	CW reversible version

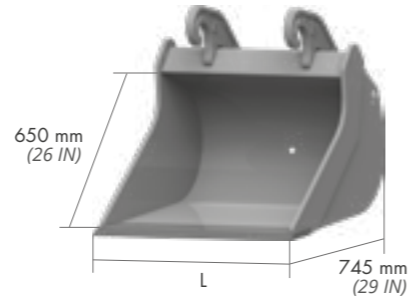
* weight of the tank excluding attachment


* weight of the tank excluding attachment

SCN66 MACHINE WEIGHT 4,0 - 6,0 t (8818 - 13228 lb)

ADAPTERS

CW10
KG 23 (LB 50)



L mm (in)	WEIGHT Kg* (lb*)	CAP. SAE l (gal)	
400 (16)	65 (143)	79 (20,9)	AF
400 (16)	65 (143)	79 (20,9)	CW
500 (20)	75 (165)	107 (28,3)	AF
500 (20)	75 (165)	107 (28,3)	CW
600 (24)	86 (190)	137 (36,2)	AF
600 (24)	86 (190)	137 (36,2)	CW
700 (28)	97 (214)	168 (44,4)	AF
700 (28)	97 (214)	168 (44,4)	CW

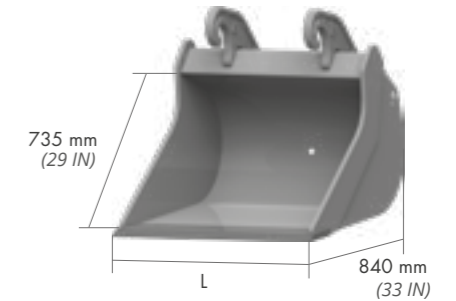
OPTIONAL


4	4	5
DC teeth	DTE teeth	CW reversible version

SCN75 MACHINE WEIGHT 6,0 - 7,5 t (13228 - 16535 lb)

ADAPTERS

CW10
KG 23 (LB 50)



L mm (in)	WEIGHT Kg* (lb*)	CAP. SAE l (gal)	
400 (16)	85 (187)	94 (24,8)	AF
400 (16)	85 (187)	94 (24,8)	CW
500 (20)	100 (220)	128 (33,8)	AF
500 (20)	100 (220)	128 (33,8)	CW
600 (24)	114 (251)	165 (43,6)	AF
600 (24)	114 (251)	165 (43,6)	CW
700 (28)	128 (282)	203 (53,6)	AF
700 (28)	128 (282)	203 (53,6)	CW
800 (31)	142 (313)	243 (64,2)	AF
800 (31)	142 (313)	243 (64,2)	CW

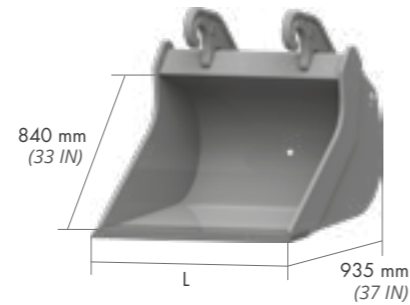
OPTIONAL


4	4	5
DC teeth	DTE teeth	CW reversible version

SCN85 MACHINE WEIGHT 7,5 - 12,0 t (16535 - 26455 lb)

ADAPTERS

CW10
KG 23 (LB 50)



L mm (in)	WEIGHT Kg* (lb*)	CAP. SAE l (gal)	
400 (16)	98 (216)	121 (32,0)	AF
400 (16)	98 (216)	121 (32,0)	CW
500 (20)	112 (247)	160 (42,3)	AF
500 (20)	112 (247)	160 (42,3)	CW
600 (24)	127 (280)	205 (54,2)	AF
600 (24)	127 (280)	205 (54,2)	CW
700 (28)	142 (313)	252 (66,6)	AF
700 (28)	142 (313)	252 (66,6)	CW
800 (31)	157 (346)	301 (79,5)	AF
800 (31)	157 (346)	301 (79,5)	CW
900 (35)	172 (379)	352 (93,0)	AF
900 (35)	172 (379)	352 (93,0)	CW

OPTIONAL

4	4	5
DC teeth	DTE teeth	CW reversible version

* weight of the tank excluding attachment

* weight of the tank excluding attachment