



**HB400**



ITS ELONGATED SHAPE AVOIDS THAT THE GROUND STICKS TO THE BUCKET'S SIDE WALLS AND SIMPLIFIES THE DISCHARGE OF LOAMY MATERIALS. THE GRID BOTTOM IS THE IDEAL DEVICE BOTH TO WORK ON PARTICULARLY WET GROUNDS AND TO SORT AND RECYCLE AGGREGATE MATERIALS. THE HOLLAND BUCKET IS EQUIPPED WITH HB400 BLADE.

**STANDARD TECHNICAL FEATURES**

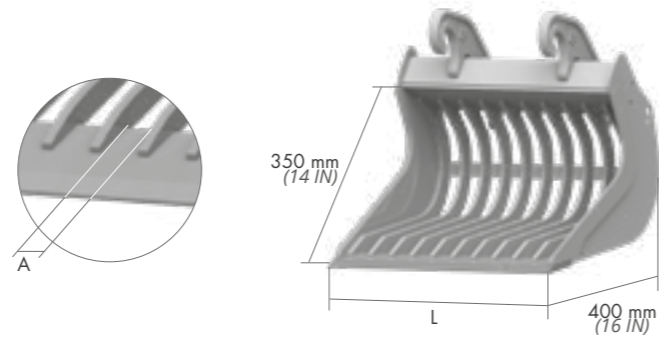
- 1 **ELONGATED PROFILE**
- 2 **HB400 BLADE**

**OPTIONAL**

- 3 **DC TEETH OR DTE TEETH**
- 4 **CW REVERSIBLE VERSION**  
THIS ADAPTER MAKES THE BUCKET REVERSIBLE.

MOD.	VN35	VN41	VN52	VN60	VN66	VN75	VN85
Tons (lb)	0,6 - 1,2 (1323 - 2646)	1,2 - 1,8 (2646 - 3968)	1,8 - 2,5 (3968 - 5512)	2,5 - 4,0 (5512 - 8818)	4,0 - 6,0 (8818 - 13228)	6,0 - 7,5 (13228 - 16535)	7,5 - 12,0 (16535 - 26455)

## VN35 MACHINE WEIGHT 0,6 - 1,2 t (1323 - 2646 lb)

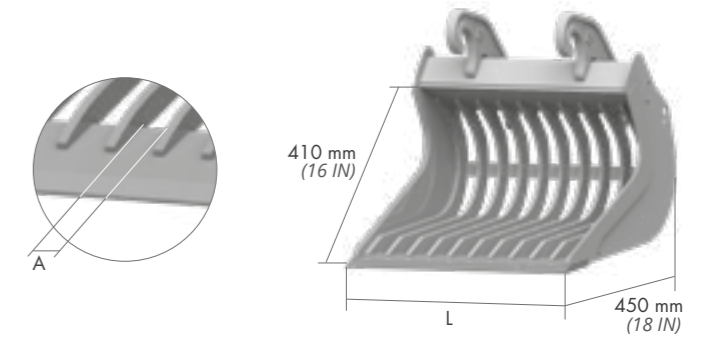


L mm (in)	A mm (in)	WEIGHT Kg* (lb*)	CAP. SAE l (gal)	
400 (16)	53 (2,1)	24 (53)	32 (8,5)	AF
400 (16)	53 (2,1)	24 (53)	32 (8,5)	CW
500 (20)	50 (2,0)	29 (64)	42 (11,1)	AF
500 (20)	50 (2,0)	29 (64)	42 (11,1)	CW
600 (24)	49 (1,9)	33 (73)	52 (13,7)	AF
600 (24)	49 (1,9)	33 (73)	52 (13,7)	CW

### OPTIONAL

4	4	5
DC teeth	DTE teeth	CW reversible version

## VN41 MACHINE WEIGHT 1,2 - 1,8 t (2646 - 3968 lb)

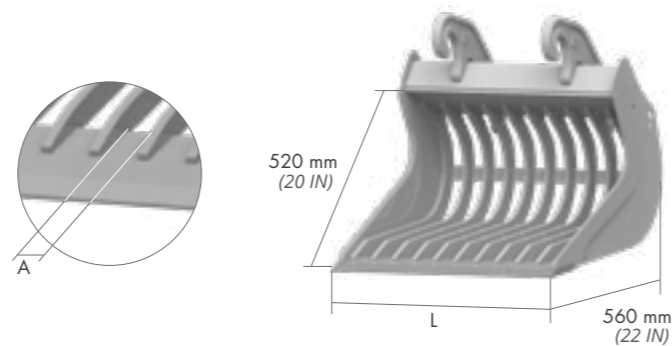


L mm (in)	A mm (in)	WEIGHT Kg* (lb*)	CAP. SAE l (gal)	
400 (16)	53 (2,1)	29 (64)	42 (11,1)	AF
400 (16)	53 (2,1)	29 (64)	42 (11,1)	CW
500 (20)	50 (2,0)	34 (75)	55 (14,5)	AF
500 (20)	50 (2,0)	34 (75)	55 (14,5)	CW
600 (24)	49 (1,9)	39 (86)	67 (17,7)	AF
600 (24)	49 (1,9)	39 (86)	67 (17,7)	CW
700 (28)	52 (2,0)	44 (97)	80 (21,1)	AF
700 (28)	52 (2,0)	44 (97)	80 (21,1)	CW

### OPTIONAL

4	4	5
DC teeth	DTE teeth	CW reversible version

## VN52 MACHINE WEIGHT 1,8 - 2,5 t (3968 - 5512 lb)

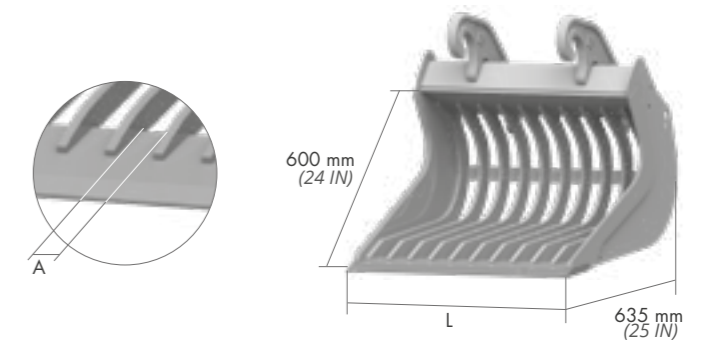


L mm (in)	A mm (in)	WEIGHT Kg* (lb*)	CAP. SAE l (gal)	
500 (20)	56 (2,2)	44 (97)	77 (20,3)	AF
500 (20)	56 (2,2)	44 (97)	77 (20,3)	CW
600 (24)	52 (2,0)	50 (110)	96 (25,4)	AF
600 (24)	52 (2,0)	50 (110)	96 (25,4)	CW
700 (28)	56 (2,2)	58 (128)	115 (30,4)	AF
700 (28)	56 (2,2)	58 (128)	115 (30,4)	CW
800 (31)	53 (2,1)	64 (141)	135 (35,7)	AF
800 (31)	53 (2,1)	64 (141)	135 (35,7)	CW

### OPTIONAL

4	4	5
DC teeth	DTE teeth	CW reversible version

## VN60 MACHINE WEIGHT 2,5 - 4,0 t (5512 - 8818 lb)



L mm (in)	A mm (in)	WEIGHT Kg* (lb*)	CAP. SAE l (gal)	
500 (20)	56 (2,2)	61 (134)	106 (28,0)	AF
500 (20)	56 (2,2)	61 (134)	106 (28,0)	CW
600 (24)	52 (2,0)	70 (154)	132 (34,9)	AF
600 (24)	52 (2,0)	70 (154)	132 (34,9)	CW
700 (28)	50 (2,0)	81 (179)	159 (42,0)	AF
700 (28)	50 (2,0)	81 (179)	159 (42,0)	CW
800 (31)	53 (2,1)	89 (196)	186 (49,1)	AF
800 (31)	53 (2,1)	89 (196)	186 (49,1)	CW
900 (35)	56 (2,2)	98 (216)	212 (56,0)	AF
900 (35)	56 (2,2)	98 (216)	212 (56,0)	CW
1000 (39)	59 (2,3)	109 (240)	239 (63,1)	AF
1000 (39)	59 (2,3)	109 (240)	239 (63,1)	CW

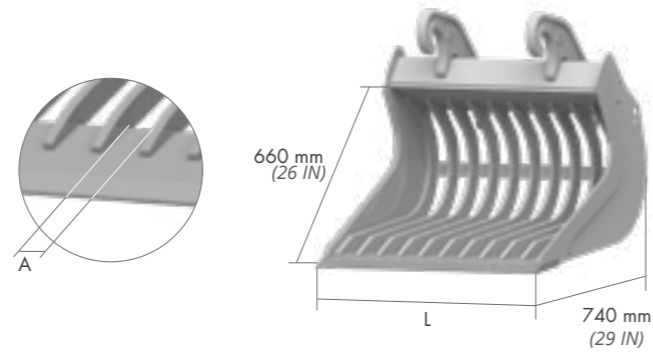
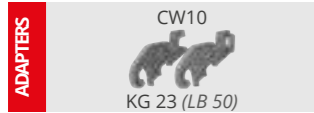
### OPTIONAL

4	4	5
DC teeth	DTE teeth	CW reversible version

\* weight of the tank excluding attachment

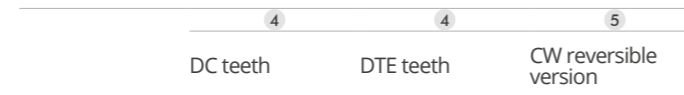
\* weight of the tank excluding attachment

## VN66 MACHINE WEIGHT 4,0 - 6,0 t (8818 - 13228 lb)

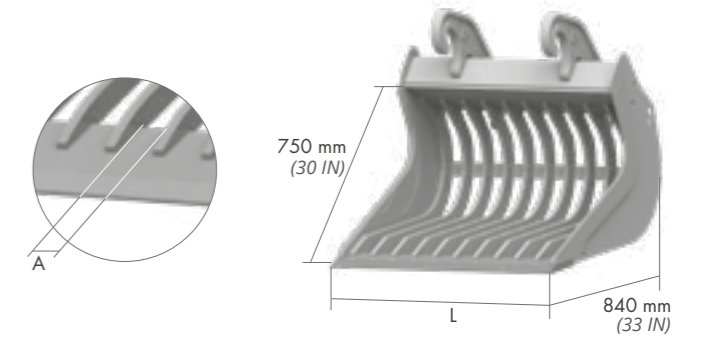


L mm (in)	A mm (in)	WEIGHT Kg* (lb*)	CAP. SAE l (gal)	
600 (24)	49 (1,9)	87 (192)	87 (192)	AF
600 (24)	49 (1,9)	87 (192)	87 (192)	CW
700 (28)	53 (2,1)	97 (214)	185 (48,9)	AF
700 (28)	53 (2,1)	97 (214)	185 (48,9)	CW
800 (31)	56 (2,2)	107 (236)	217 (57,3)	AF
800 (31)	56 (2,2)	107 (236)	217 (57,3)	CW
900 (35)	59 (2,3)	116 (256)	250 (66,0)	AF
900 (35)	59 (2,3)	116 (256)	250 (66,0)	CW
1000 (39)	61 (2,4)	129 (284)	282 (74,5)	AF
1000 (39)	61 (2,4)	129 (284)	282 (74,5)	CW

### OPTIONAL

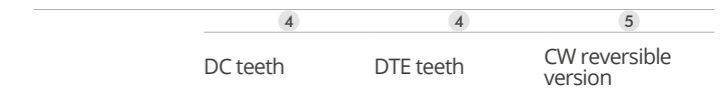


## VN75 MACHINE WEIGHT 6,0 - 7,5 t (13228 - 16535 lb)

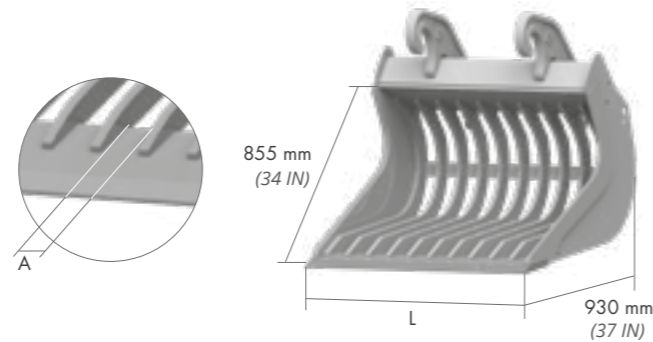


L mm (in)	A mm (in)	WEIGHT Kg* (lb*)	CAP. SAE l (gal)	
600 (24)	55 (2,2)	110 (243)	183 (48,3)	AF
600 (24)	55 (2,2)	110 (243)	183 (48,3)	CW
700 (28)	59 (2,3)	123 (271)	222 (58,6)	AF
700 (28)	59 (2,3)	123 (271)	222 (58,6)	CW
800 (31)	55 (2,2)	140 (309)	262 (69,2)	AF
800 (31)	55 (2,2)	140 (309)	262 (69,2)	CW
900 (35)	52 (2,0)	153 (337)	302 (79,8)	AF
900 (35)	52 (2,0)	153 (337)	302 (79,8)	CW
1000 (39)	55 (2,2)	166 (366)	343 (90,6)	AF
1000 (39)	55 (2,2)	166 (366)	343 (90,6)	CW
1100 (43)	57 (2,2)	183 (403)	383 (101,2)	AF
1100 (43)	57 (2,2)	183 (403)	383 (101,2)	CW

### OPTIONAL

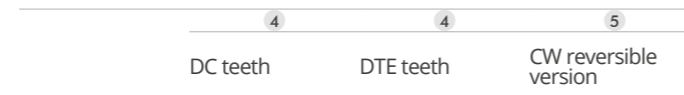


## VN85 MACHINE WEIGHT 7,5 - 12,0 t (16535 - 26455 lb)



L mm (in)	A mm (in)	WEIGHT Kg* (lb*)	CAP. SAE l (gal)	
800 (31)	55 (2,2)	159 (351)	331 (87,4)	AF
800 (31)	55 (2,2)	159 (351)	331 (87,4)	CW
900 (35)	53 (2,1)	172 (379)	384 (101,4)	AF
900 (35)	53 (2,1)	172 (379)	384 (101,4)	CW
1000 (39)	55 (2,2)	186 (410)	437 (115,4)	AF
1000 (39)	55 (2,2)	186 (410)	437 (115,4)	CW
1100 (43)	57 (2,2)	204 (450)	490 (129,4)	AF
1100 (43)	57 (2,2)	204 (450)	490 (129,4)	CW
1200 (47)	55 (2,2)	217 (478)	542 (143,2)	AF
1200 (47)	55 (2,2)	217 (478)	542 (143,2)	CW
1300 (51)	57 (2,2)	231 (509)	595 (157,2)	AF
1300 (51)	57 (2,2)	231 (509)	595 (157,2)	CW

### OPTIONAL



\* weight of the tank excluding attachment

\* weight of the tank excluding attachment